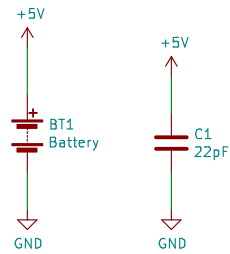
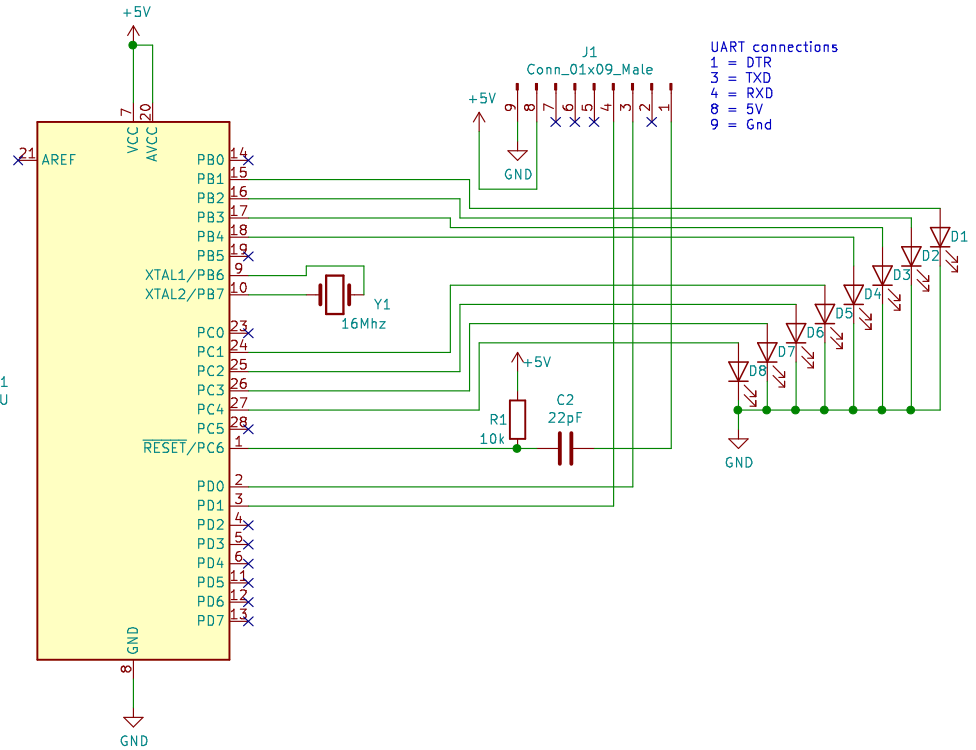


Disconnect battery
when connecting to
UART 5V supply



U1
ATmega328P-PU



UART connections
 1 = DTR
 3 = TXD
 4 = RXD
 8 = 5V
 9 = Gnd

Sheet: /	
File: pov.sch	
Title: Persistence of Vision	
Size: A4	Date: 2020-12-23
KiCad E.D.A. kicad 5.1.5+dfsg1-2build2	Rev: 1.0
	Id: 1/1